

Features

- Classic design complements any décor
- Gravity Fed
- 1.28 gpf / 4.86 lpf low water consumption
- Uses 20% less water than conventional toilets
- Glazed trapway
- Pilot Operated Fill Valve
- 12" rough-in
- Large 8-1/16" X 9-5/16" water surface
- Available in White and Standard Colors: Biscuit, Bone
- Color-match trip lever
- Outstanding performance—Mansfield's® limited lifetime warranty



Model 4135-3121
Toilet seat not included

Components

Model #	Description	Approximate Weight	
4135-3121	Elongated front (1.28 gpf/4.86 lpf) two-piece toilet. 12" rough-in. Includes tank trim and front-mount, color-match trip lever. Less toilet seat and supply. Specify color.	78 lbs.	35 kg
4135	Elongated front toilet bowl only. 12" rough-in. Less toilet seat. Specify color.	47 lbs.	21.1 kg
3121	Tank and cover only, with left hand, front-mount, color-match trip lever. Less supply. Specify color.	31 lbs.	13.9 kg
3121RH	Same as model 3121, with right hand, color-match trip lever. Less supply. Specify color.	31 lbs.	13.9 kg
3122	Same as model 3121, with tank liner.	31 lbs.	13.9 kg
SB400	Elongated, SmartClose™, toilet seat. Specify color.	3.5 lbs.	1.6 kg
SB1200	Elongated, Primo™ heavy-duty plastic toilet seat. Specify color.	4 lbs.	1.8 kg

Features

228HB Flush Valve

The innovative 228HB is a 3" hybrid flush valve delivering 70% faster tank emptying rates. Non-corrosive and dependable, the 228HB seals tightly every time for long lasting performance.



Pilot Operated Fill Valve

Pilot operated fill valve provides consistent shut-off over a wide range of water pressures.



Three-Point Tank-to-Bowl Connection

This assures perfect tank alignment in every direction. It permits fast, accurate, leakproof tank-to-bowl connections. Protects against tank breakage...can't be rocked loose...saves installation time. Furnished with nuts and bolts.



MADE IN USA

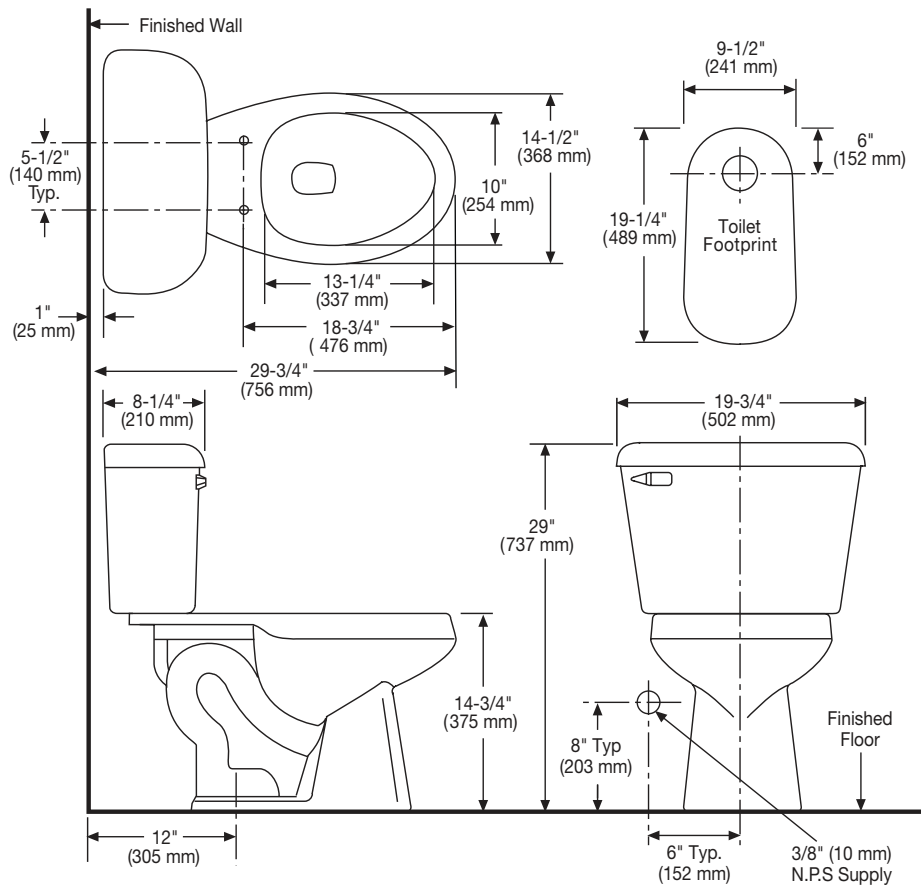
Specifications

Model #	Description	Approximate Weight	Codes/Standards
4135-3121	Elongated front (1.28 gpf/4.86 lpf) two-piece toilet	78 lbs. / 35.1 kg	

Specification	Description	Specification	Description
Material	Vitreous China	Trap Diameter	2"
Water Pressure Range	20 to 80 PSI	Trap Seal	2-5/8"
Flush System	Gravity Fed Flushing Technology	Rough-in	12"
Water Usage	1.28 gpf / 4.86 lpf	Shipping Weight	81 lbs. (36 kg)
Water Surface Area	8-1/16" X 9-5/16"	Warranty	Vitreous China - Limited Lifetime Tank Trim - Limited One Year
MaP Rating	600 grams		

Technical Information

NOTE: Install this product according to the installation guide and/or spec sheet. Fixture dimensions are nominal and conform to tolerances in ASME A112.19.2-2008/CSA B45.1-08 standards.



See our complete line of acrylic and vitreous china bathroom fixtures, plastic tank trim and plumbing products.

These dimensions are nominal and subject to change without notice.
 Fixture performance and specifications meet or exceed ASME A112.19.2-2008/CSA B45.1-08 standards, and other state and local codes.

